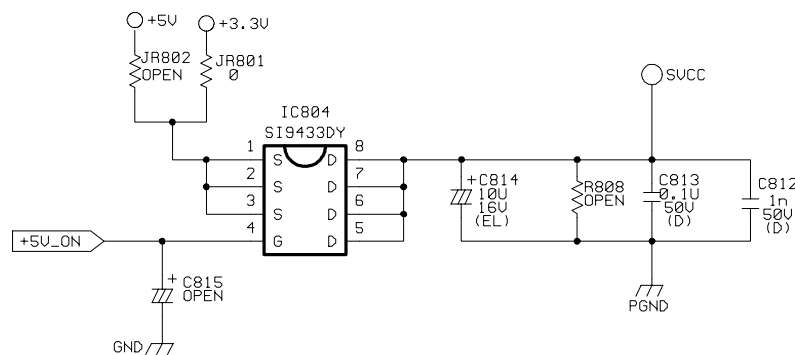
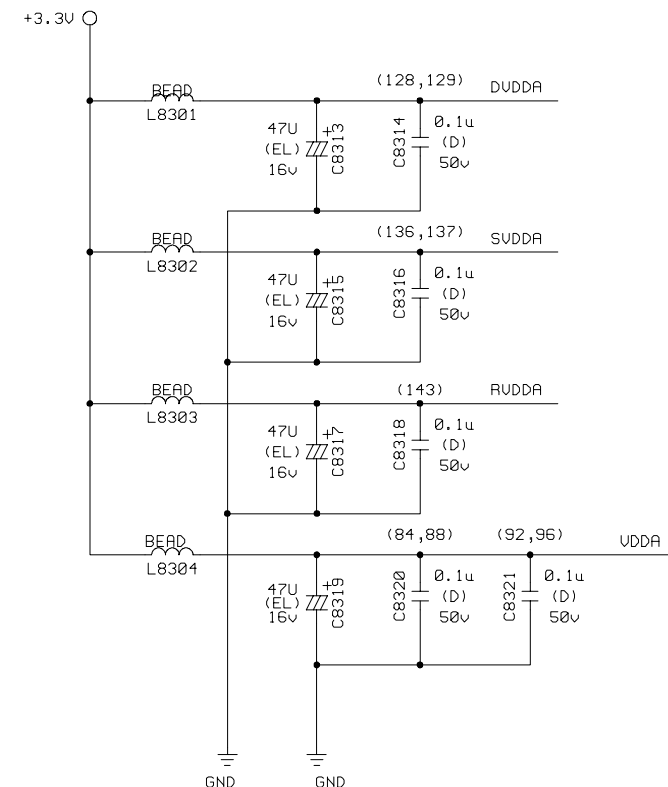
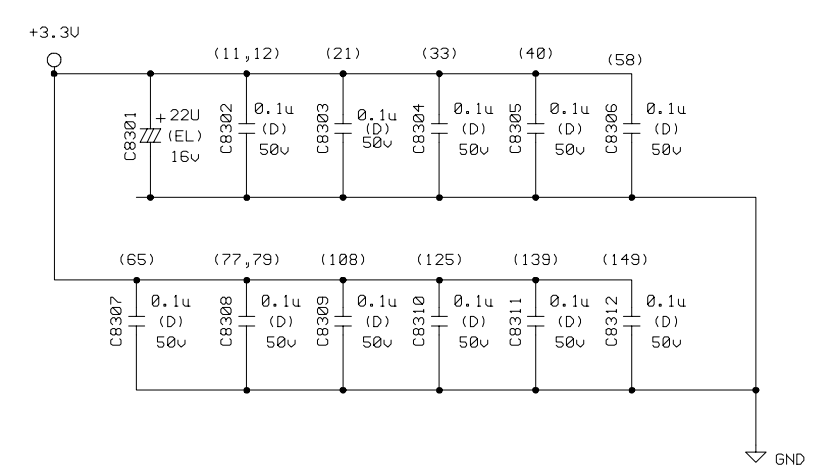
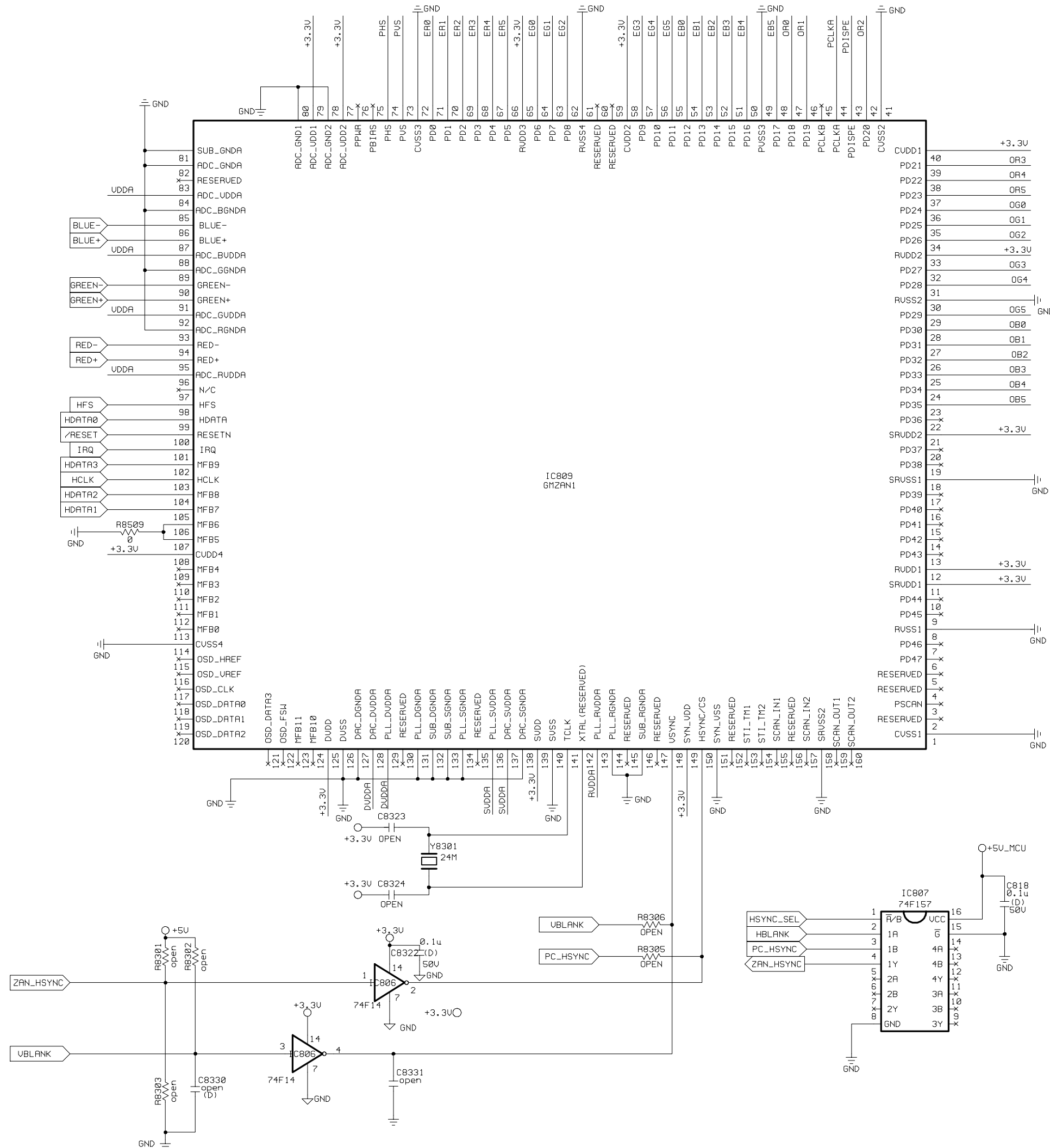


- NOTES:
1. Resistor values are in ohm, K=1,000 ohm, M=1,000,000 ohm
 2. All resistors are 1/8 watt, 5% except where otherwise indicated
 3. $\text{---} \text{---} \text{---}$ Represents PCB common ground.



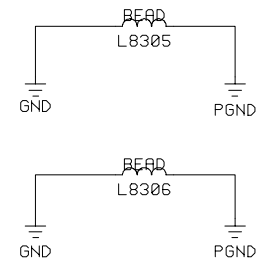
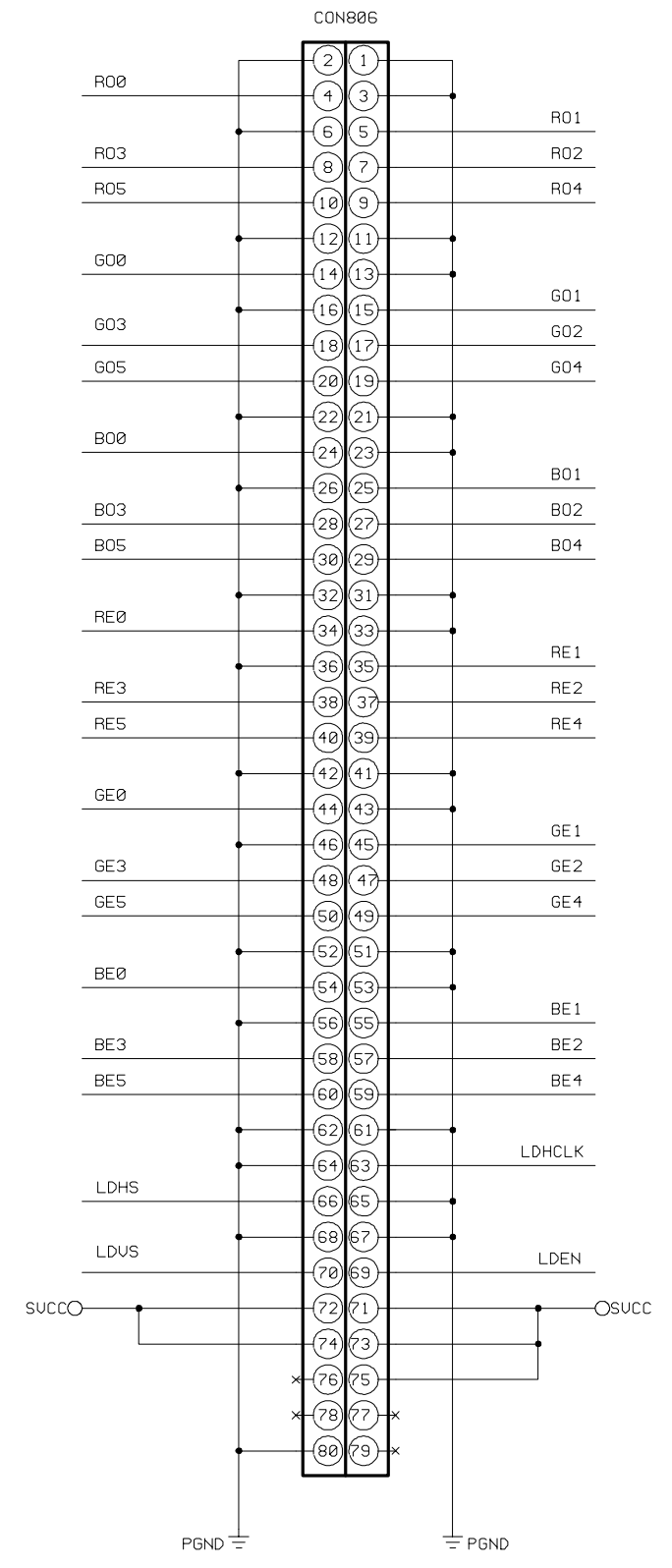
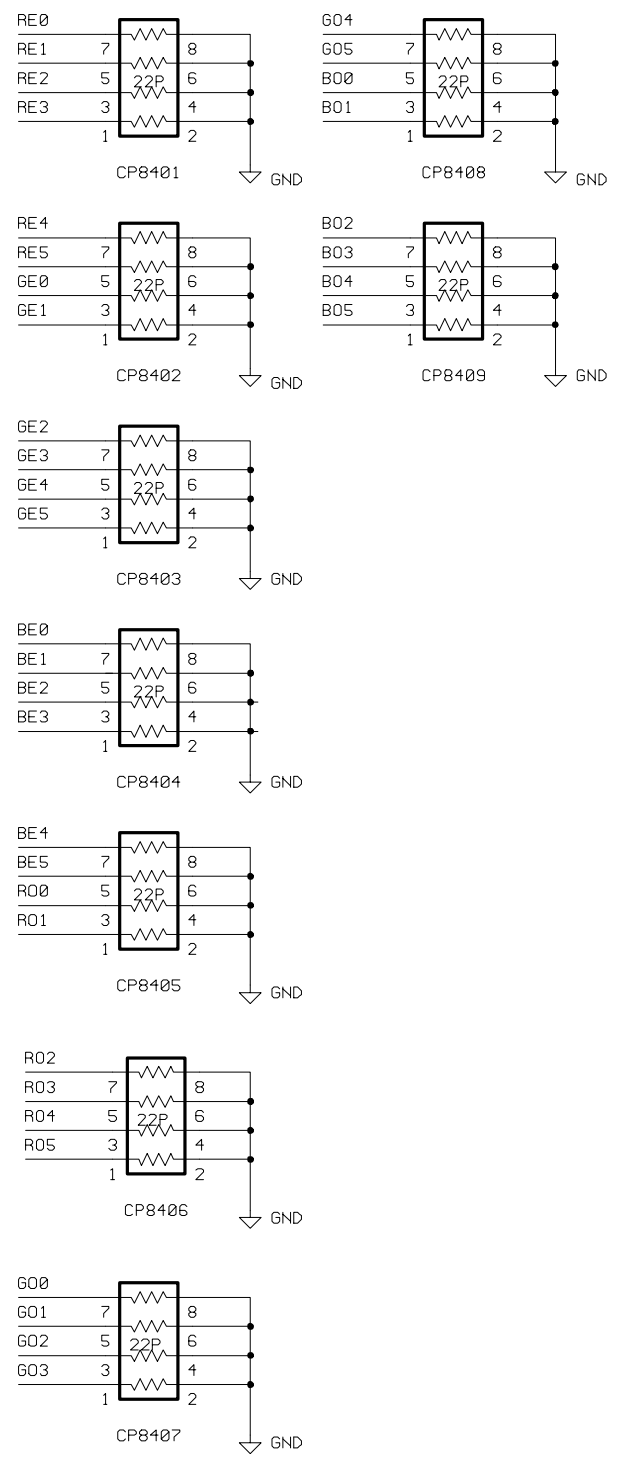
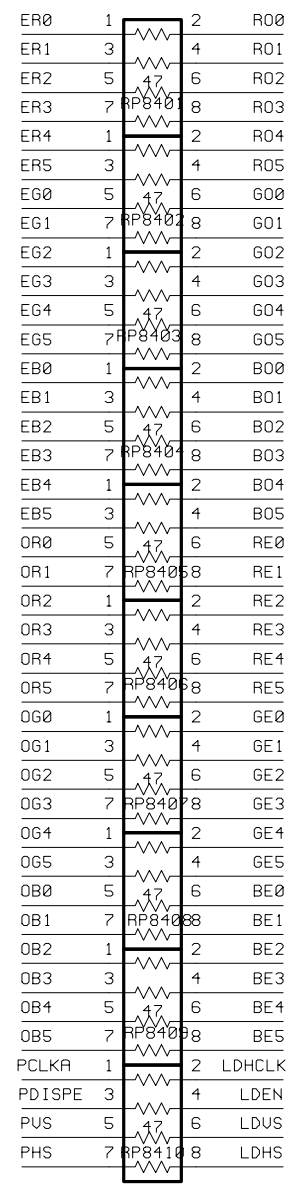
acer Acer Communications & Multimedia				
FP553 INTERFACE B/D SCHEMATICS				
SIZE A3	L2901B10.SCH	FAB B10	Doc.No. 304-C05	REV. 1
DATE :	6/19/2001	Sheet	1	OF 5
Project Code.		99.L2972.001		
Prepared By	Reviewed By	Approved By		
VICKI CHANG 6/19/01	HSIN-TE YU 6/19/01	T. S. WU 6/19/01		



acer Acer Communications & Multimedia

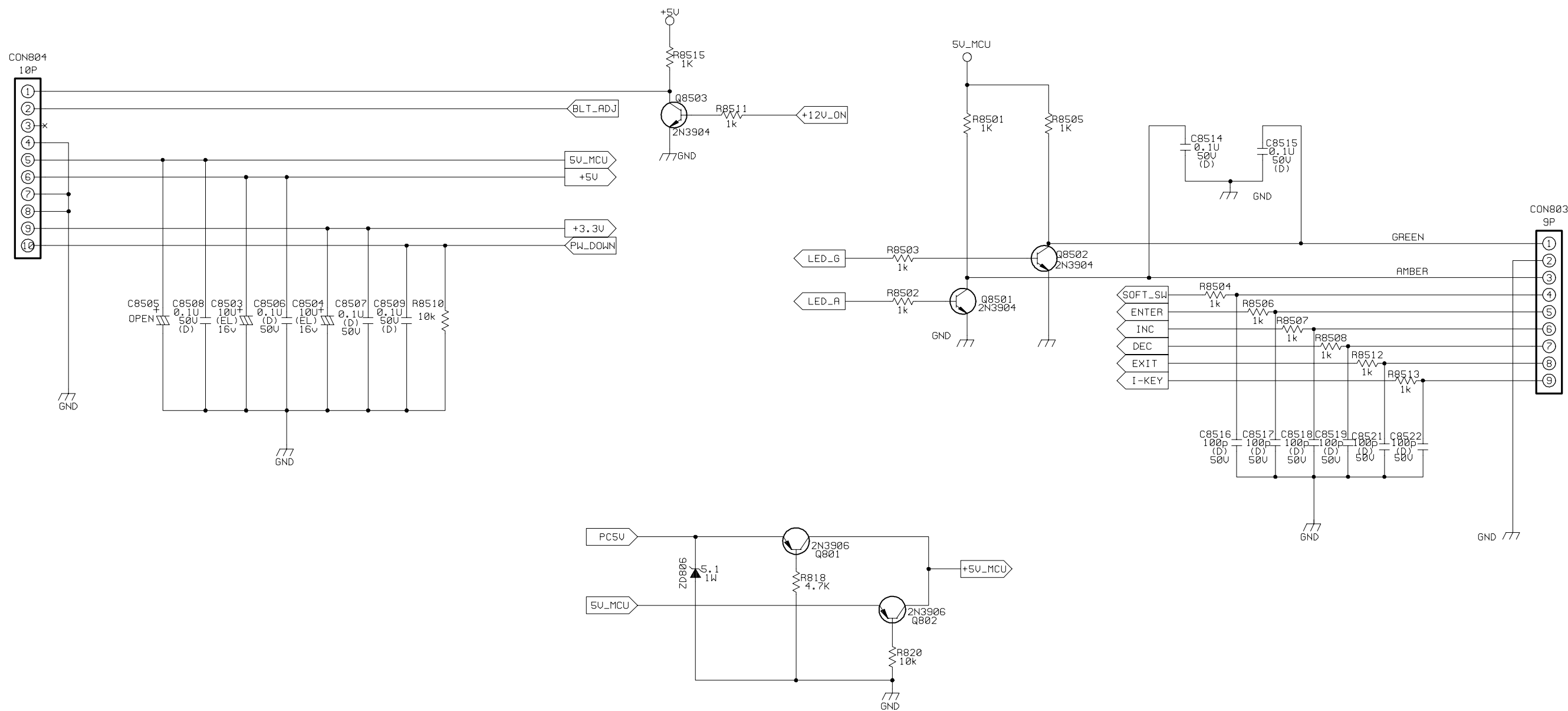
FP553 INTERFACE B/D SCHEMATICS

SIZE A3	L2901B10.SCH	FAB B10	Doc.No. 304-C05	REV. 1
DATE : 6/19/2001		Sheet 2 OF 5		
Project Code. 99.L2972.001				
Prepared By VICKI CHANG 6/19/01		Reviewed By HSIN-TE YU 6/19/01		Approved By T.S.WU 6/19/01



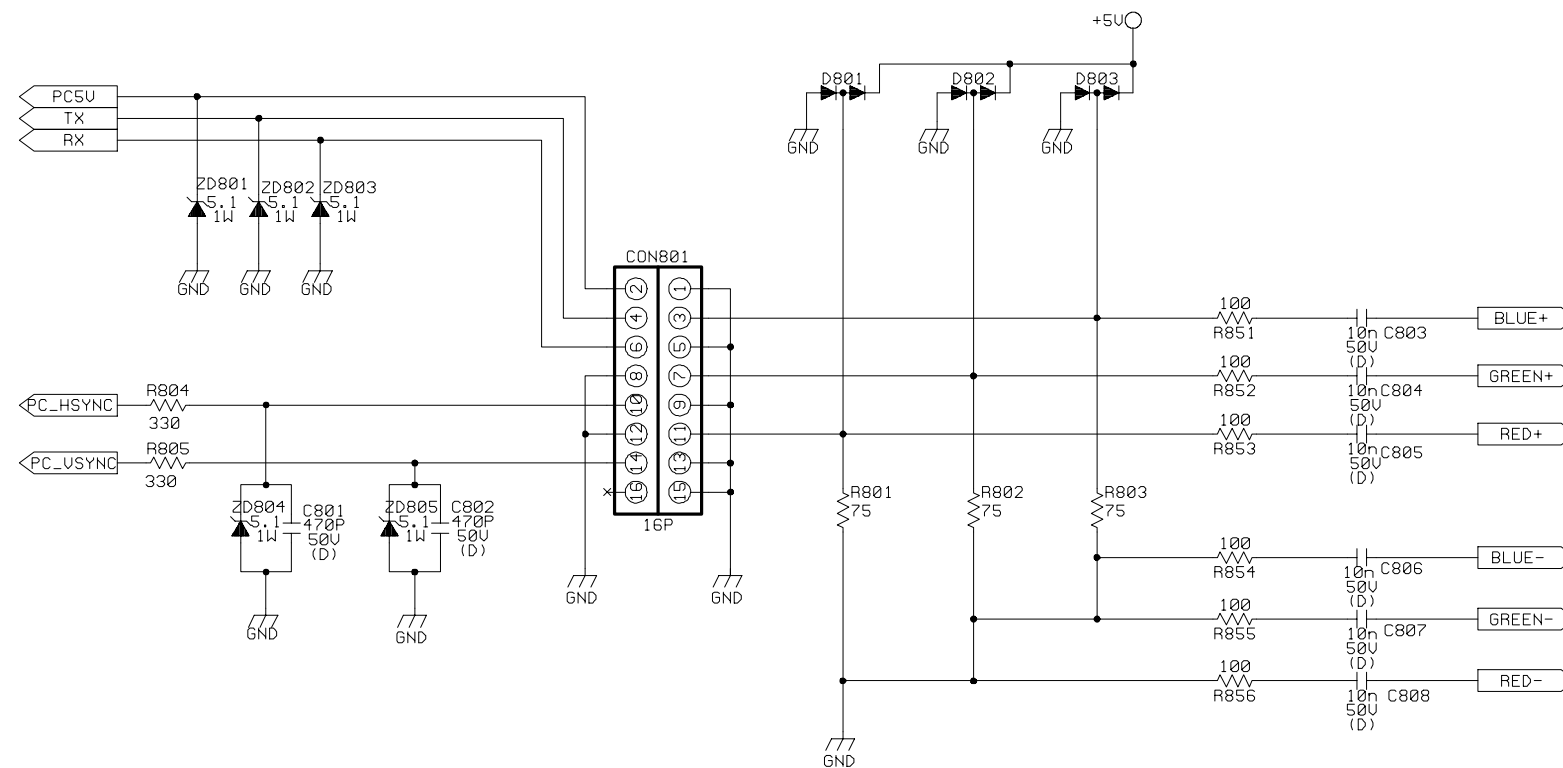
NOTES:
 1. Resistor values are in ohm, K=1,000 ohm, M=1,000,000 ohm
 2. All resistors are 1/8 watt, 5% except where otherwise indicated
 0.00 ∇ \rightarrow \perp Represents PCB common ground.

acer Acer Communications & Multimedia				
FP553 INTERFACE B/D SCHEMATICS				
SIZE A3	L2901B10.SCH	FAB B10	Doc.No. 304-C05	REV. 1
DATE : 6/19/2001		Sheet 3 OF 5		
Project Code. 99.L2972.001				
Prepared By VICKI CHANG 6/19/01		Reviewed By HSIN-TE YU 6/19/01		Approved By T.S.WU 6/19/01



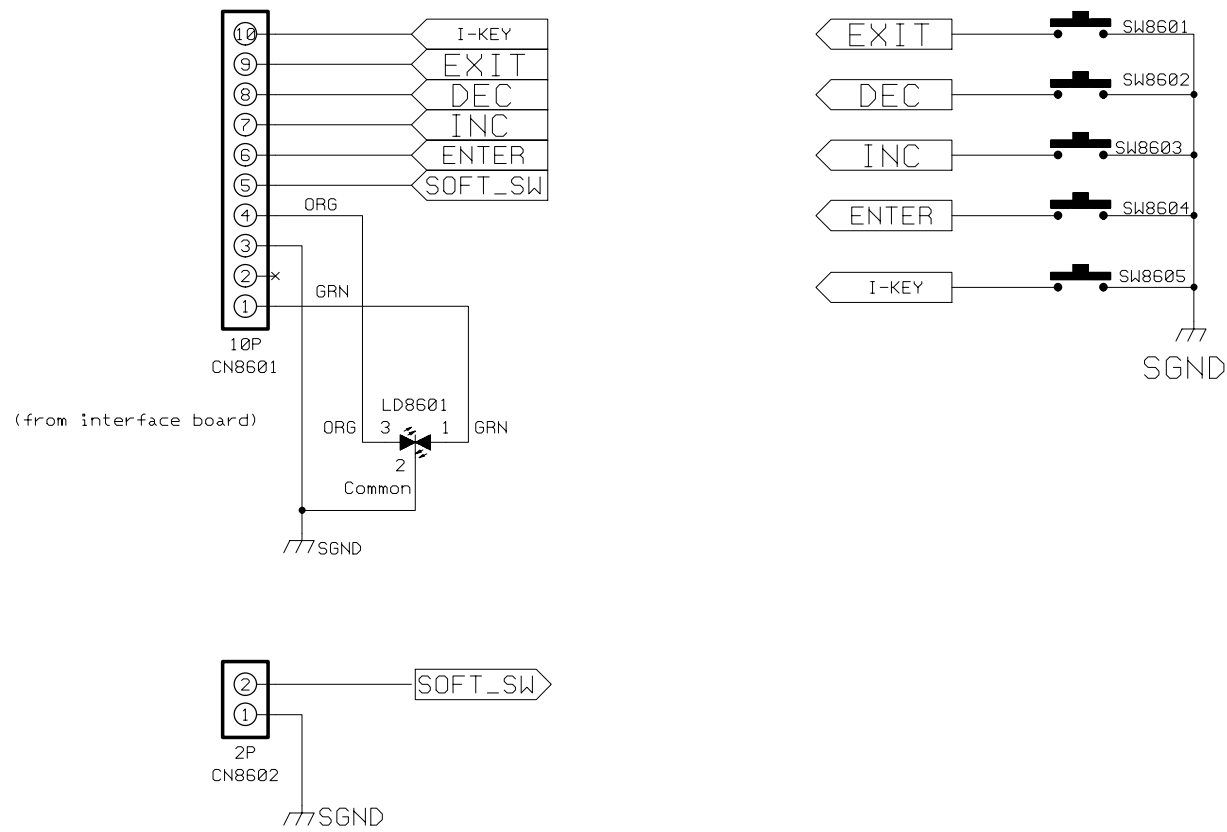
NOTES: 1. Resistor values are in ohm, K=1,000 ohm, M=1,000,000 ohm
 2. All resistors are 1/8 watt, 5% except where otherwise indicated
 0.00 ∇ ∇ ∇ Represents PCB common ground.

acer Acer Communications & Multimedia				
FP553 INTERFACE B/D SCHEMATICS				
SIZE A3	L2901B10.SCH	FAB B10	Doc.No. 304-C05	REV. 1
DATE : 6/19/2001		Sheet 4 OF 5		
Project Code. 99.L2972.001				
Prepared By VICKI CHANG 6/19/01		Reviewed By HSIN-TE YU 6/19/01		Approved By T.S.WU 6/19/01



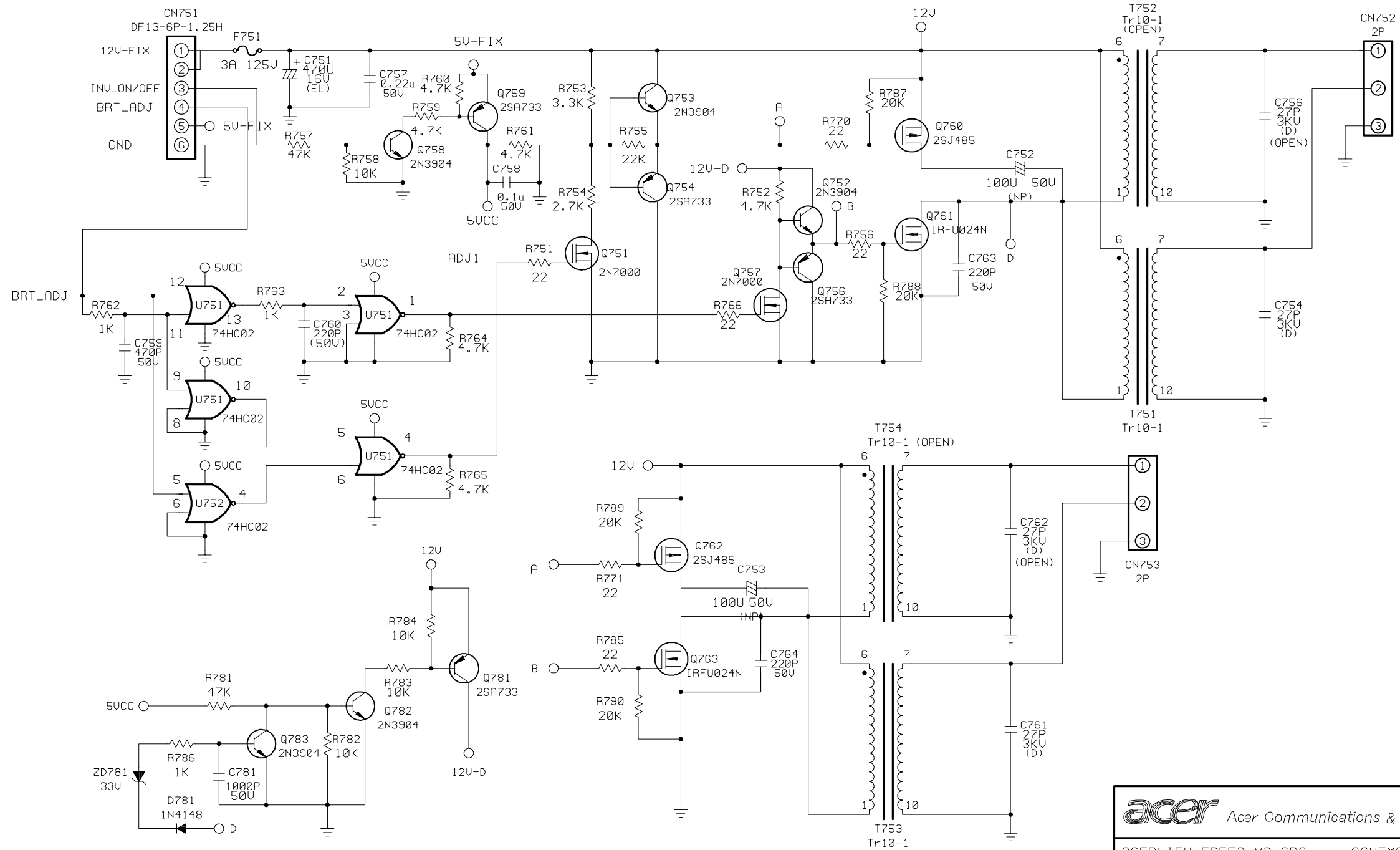
- NOTES:
1. Resistor values are in ohm, K=1,000 ohm, M=1,000,000 ohm
 2. All resistors are 1/8 watt, 5% except where otherwise indicated
 3. $\text{---} \text{---} \text{---}$ Represents PCB common ground.

acer Acer Communications & Multimedia				
FP553 INTERFACE B/D SCHEMATICS				
SIZE A3	L2901B10.SCH	FAB B10	Doc.No. 304-C05	REV. 1
DATE : 6/19/2001		Sheet 5 OF 5		
Project Code. 99.L2972.001				
Prepared By VICKI CHANG 6/19/01		Reviewed By HSIN-TE YU 6/19/01		Approved By T.S.WU 6/19/01



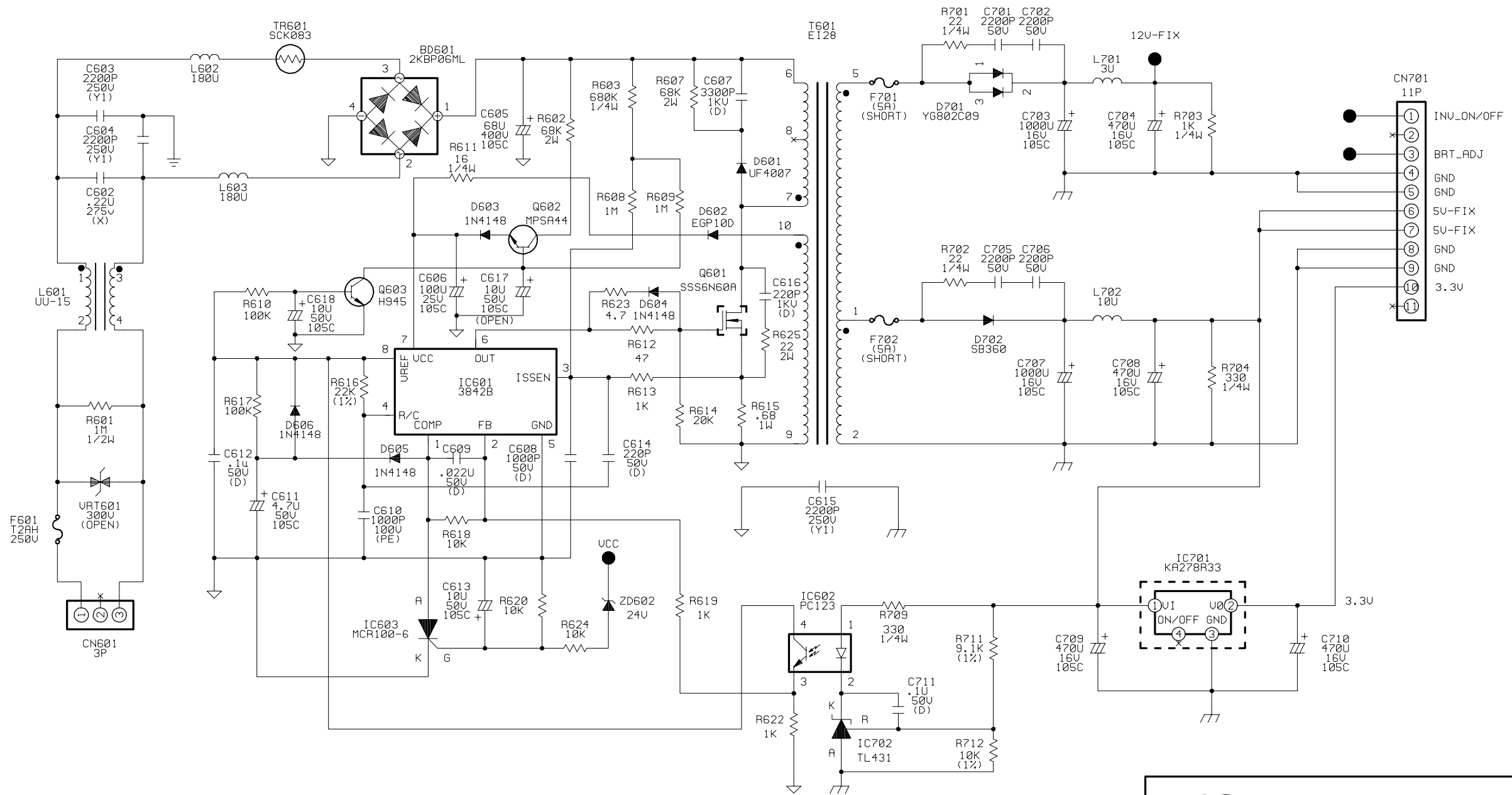
- NOTES:
1. Resistor values are in ohm, K=1,000 ohm, M=1,000,000 ohm
 2. All resistors are 1/8 watt, 5% except where otherwise indicated
 3. $\text{---} \text{---} \text{---}$ $\text{---} \text{---} \text{---}$ $\text{---} \text{---} \text{---}$ Represents PCB common ground.

Communications & Multimedia Inc.				
FPF3 CONTROL BOARD SCHEMATICS				
SIZE A4	L2902A04.SCH	FAB A04	Doc.No. 304-C02	REV. 1
DATE : 4/1/2001		Sheet 1 OF 1		
Project Code. 99.L2972.001				
Prepared By VICKI CHANG 4/2/01		Reviewed By JIMMY J SU 4/2/01		Approved By T.S.WU 4/2/01



- NOTES: 1. Resistor values are in ohm, K=1,000 ohm, M=1,000,000 ohm
 2. All resistors are SMD 0805, 5% except where otherwise indicated
 3. $\nabla \downarrow \oplus$ Represents PCB common ground.

acer Acer Communications & Multimedia				
ACERVIEW FP553 X2 SPS SCHEMATICS				
SIZE A4	L2903B10.SCH	FAB B10	Doc.No. 304-C04	REV. 1
DATE : 6/19/2001	Sheet 1 OF 2			
Project Code. 99.L2972.001				
Prepared By VICKI CHANG 6/19/01	Reviewed By HSIN-TE YU 6/19/01	Approved By T.S.WU 6/19/01		



NOTES: 1. Resistor values are in ohm, K=1,000 ohm, M=1,000,000 ohm
 2. All resistors are SMD 0805, 5% except where otherwise indicated
 3. ∇ \downarrow \pm Represents PCB common ground.

acer Acer Communications & Multimedia				
ACERVIEW FP553 SPS SCHEMATICS				
SIZE A4	L2903B10.SCH	FAB B10	Doc.No. 304-C04	REV. 1
DATE : 6/19/2001	Sheet 2 OF 2			
Project Code. 99.L2972.001				
Prepared By VICKI CHANG 6/19/01	Reviewed By HSIN-TE YU 6/19/01	Approved By T.S.WU 6/19/01		

ITEM	PART NUMBER	DESCRIPTION	Q'TY
1	60.L2912.XXX	BZL ABS HB FP553/ACER	1
2	60.L2908.001	ASSY SW+WIRE FP553	1
3	55.L2902.001	CONTROL BD	1
4	56.91L33.001	ADT-X2 LCD PANEL	1
5	60.L2914.XXX	BKT-PNL SECC 0.8 FP553 X2/ACER	1
6	55.L2903.002	POWER B/D	1
7	42.75M07.XXX	CVR U/C ABS HB 002 FP553	1
8	55.L2901.002	INTERFACE BD	1
9	50.L2902.XXX	SIGNAL CABLE FP553	1
10	33.L2902.XXX	SHD-PNL SPTC 0.3 FP553	1
11	60.L2906.XXX	ASSY BASE ABS HB FP553	1
12	39.L2901.XXX	U/C ABS HB 002 FP553	1
13	86.1A523.100	SCRW MACH PAN M4*0.7*10L C-ZN	4
14	86.1A523.4R0	SCRW TAP PAN M2.5*4L NI	2
15	86.VG434.6R0	SCRW TAP PAN F/WSH M3*6L C-ZN	11
16	86.5A524.8R0	SCREW MACH FLAT M3*12L NI	2
17	86.WA314.8R0	SCRW TAP CAP M3*1.34P*8L	11
18	86.00075.100	SCRW NYLOK M4*100	4
19	86.XA514.120	SCRW TAP FLAT M3*1.34P*12L NI	4
20	86.00010.161	SCRW TAP TLE TRS W/EXT M4*8L	1
21	38.04054.071	TAPE ADHESIVE 35*25 BLK 7651F	2
22	31.75M01.021	PLT GND CTRL B/D PBR FP550	2
23			
24			
25			

A

B

C

D

E

F

G

A

B

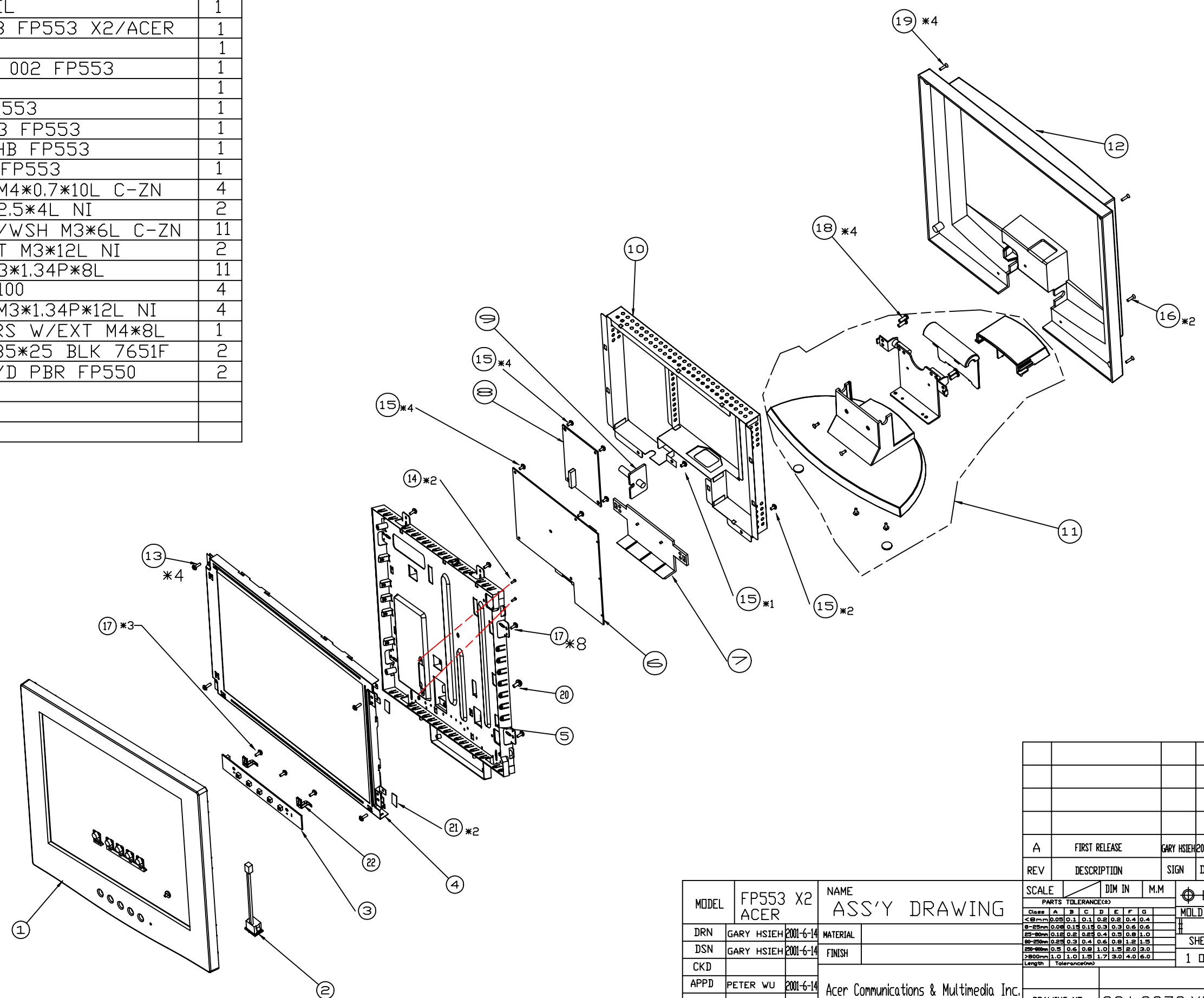
C

D

E

F

G



REV	DESCRIPTION	SIGN	DATE
A	FIRST RELEASE	GARY HSIEH	2001-6-14

MODEL	FP553 X2 ACER	NAME	ASS'Y DRAWING
DRN	GARY HSIEH 2001-6-14	MATERIAL	
DSN	GARY HSIEH 2001-6-14	FINISH	
CKD			
APPD	PETER WU 2001-6-14	Acer Communications & Multimedia Inc.	
DRAWING NO.		99.L2972.XXX	

PARTS TOLERANCE(S)							DIM IN		M.M		MOLD NO.	
Class	A	B	C	D	E	F	G					
<@mm	0.05	0.1	0.1	0.2	0.2	0.4	0.4					
8-25mm	0.08	0.15	0.15	0.3	0.3	0.6	0.6					
25-50mm	0.12	0.2	0.2	0.4	0.4	0.8	1.0					
50-250mm	0.25	0.3	0.4	0.6	0.6	1.2	1.5					
250-500mm	0.5	0.6	0.8	1.0	1.0	2.0	3.0					
>500mm	1.0	1.0	1.5	1.7	3.0	4.0	6.0					
Length	Tolerance(±)									1 OF 1		